

Important Safety Information

SAFETY PRECAUTIONS

- **DO NOT lift furniture/fixtures holding the top— it is removable by design**
- **DO NOT lean on one end of top—it is removable by design**
- If you wish to make tops or bottoms permanent, add two drops of Elmer's glue into each hole and allow to dry 2 hours.
- **Always use the floor for leverage for assembly and disassembly**
- **Watch out for sharp edges/corners.**
- **There is a risk of furniture tipping if you stack too high and/or on non-level surface (e.g., shag carpet).**
- For larger units, please assemble the **vertical sections first** (see below). Next, slide those sections together with the wooden dowels. **If unit has no bottom, be careful not to apply side-ways force to the “legs” of the unit on the floor or carpet.**
- For units 6.5' & higher, we **recommend restraining unit to wall (with shelf brackets or straps)** to prevent tipping. Smart Furniture offers brackets for this purpose.

OTHER USEFUL INFORMATION:

The Finish: The melamine finish on our signature line is water/scratch/stain resistant. If you manage to scratch, chip, or stain a piece, it's interchangeable— take it out and flip it over, or easily replace it.

The Slots: The slots are designed to fit **tightly** for quality and stability. When disassembling, **keep the interlocking pieces at right angles** or you may break something (not you, the furniture). Align shelves so horizontals enter from the front. Disassembly gets easier each time.

Customizing: Smart Furniture components are customizable, replaceable, interchangeable and stackable. You can design your own on our website. We also sell individual components separately, so you can design & order any configuration you desire.

Uses and Designs: While our suggested designs are good for the **office, living room, kitchen, bathroom, and more**, with the Smart™ system, you're **not limited to our feeble imaginations**. By **adding** other items (or pieces) you can truly **customize** your own system, expanding to a room, office or household **set**.

Questions? Do not hesitate to contact us at 888-762-7841

www.smartfurniture.com

SmartFurniture.

Personalized Assembly Instructions

We sincerely thank you for your purchase.

You are now the owner of a patented Smart Furniture® design.
In minutes, without tools, you should be enjoying it.

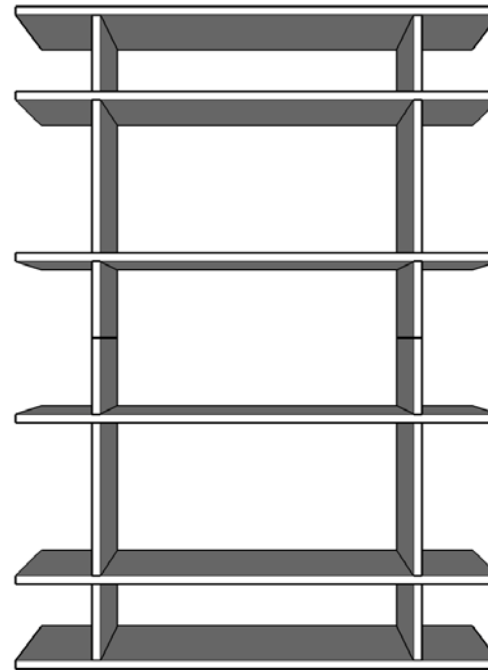
Any questions? Do not hesitate to contact us at 888-762-7841

www.smartfurniture.com

Packing List

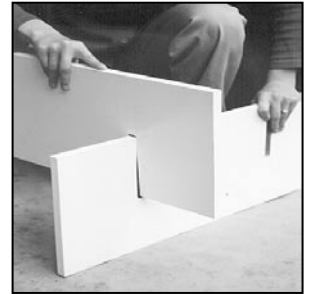
Component name	Quantity in your design	Purpose	What component looks like
T3	2	tops/bottoms	
E2	4	vertical supports	
E3	4	horizontal shelves	
Dowels	varies	stacking & connecting	
Endcaps	varies	to cap extra dowel holes	

Your Design: SKU 0403f022



Important Details

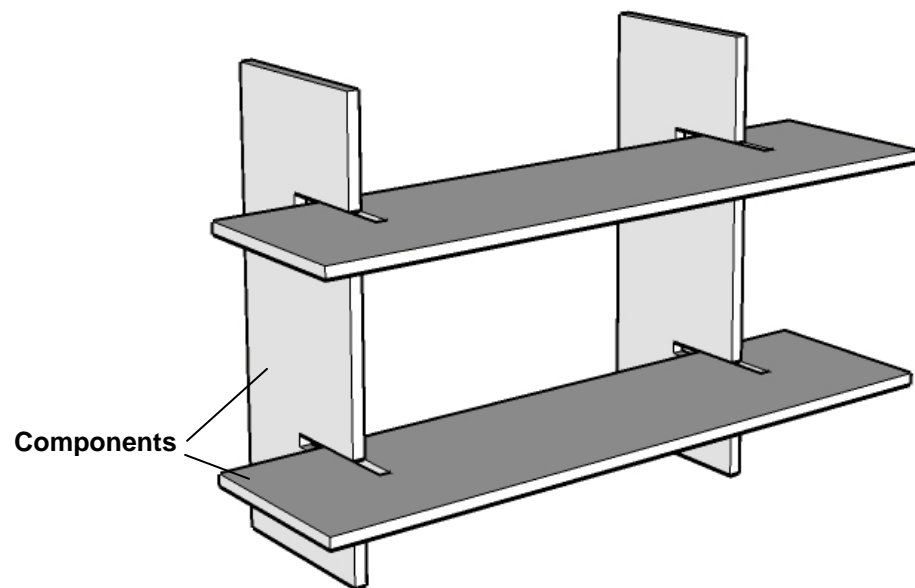
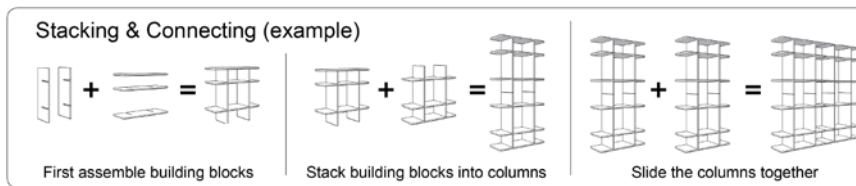
- 1 Find a carpeted floor (it's easier on the product and your knees), and lay the components & dowels/endcaps on the floor.
- 2 Identify the verticals, the horizontals, and tops, bottoms or sides. Don't worry- if you don't know which is which yet, you can still proceed— it's hard to put Smart Furniture together wrong.
- 3 Place one knee on the floor, and grab a vertical and a horizontal component →
- 4 Rest one component on the floor (slots facing up), and hold another with slots facing down →
- 5 Carefully line up slots & slide together, pushing toward the floor for resistance (important, since mid-air attempts are frustrating & largely silly) →
- 6 With at least a vague notion of what your design will look like, carefully continue sliding components together using your body's innate gravity and the floor, not your back. The fits are stable & tight & may require pressure.
- 7 When you have completed a section/building block (when no more slots are open), tilt that section upright and smile
- 8 If you have tops or bottoms, press a wooden dowel into each dowel hole on that component. It may take a little "oompf". Again, mid-air is bad. Put the component on the floor for leverage —dowels are meant to be tight.
- 9 Then fit the top down into the holes.



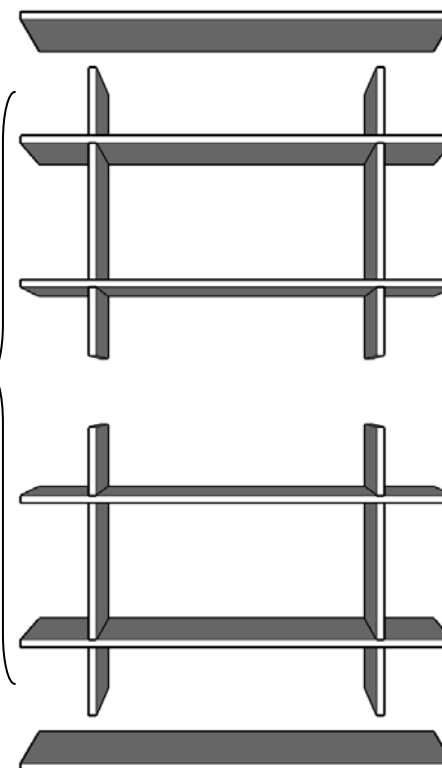
Assembling Your Design

Short version below. For more detail & safety info, see "Important Details" at right.

- Smart Furniture is made of **components** and **building blocks**.
- **Components** have slots that slide together to make building blocks.
- **Building blocks** stack & connect with **dowels** to create your design.



Building Blocks



- **CAUTION: The top is removable by design.** If you wish to make it permanent, add two drops of Elmer's glue in each hole. If you don't glue it, **DO NOT PICK UP FURNITURE BY ITS TOP**—grab a shelf instead. Similarly, **DO NOT** lean entirely on one end of the top, or it may tilt and launch your beverages over your head & across the room.
- 10 Stacking Smart Furniture: simply place dowels into end-holes and stack or connect other assembled sections. A few important notes:
 - It's much easier to **stack vertically first**. Then, slide those sections together to connect horizontally. If you don't have bottoms on the design, when sliding on carpet, be careful not to apply sideways pressure to the supports (dragging across floor) when moving.
 - Tops/bottoms can be removed (and replaced) to help you stack units.
 - **For units 5' & higher, we recommend restraining unit to wall (with shelf brackets or straps) to prevent tipping.**



NOTE: If you want to **disassemble**: Lay furniture flat on its side on the floor. With one hand under a component, and one pushing the other component toward the floor, gradually work the boards apart at a right angle, one-by-one, little by little. They are supposed to be tight...

