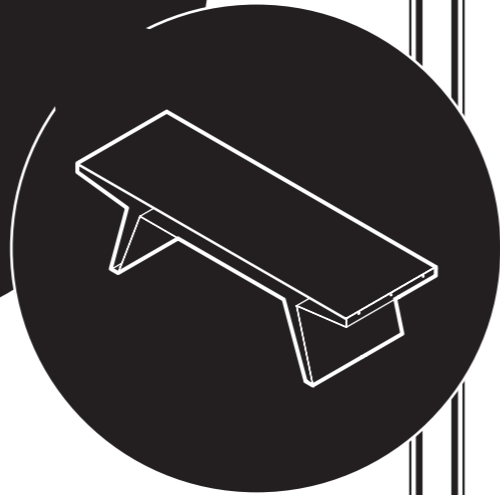


BLU  
DOT

# BARBARELLA

## ASSEMBLY NOTES

MY NAME ISN'T  
PRETTY-PRETTY,  
IT'S BARBARELLA

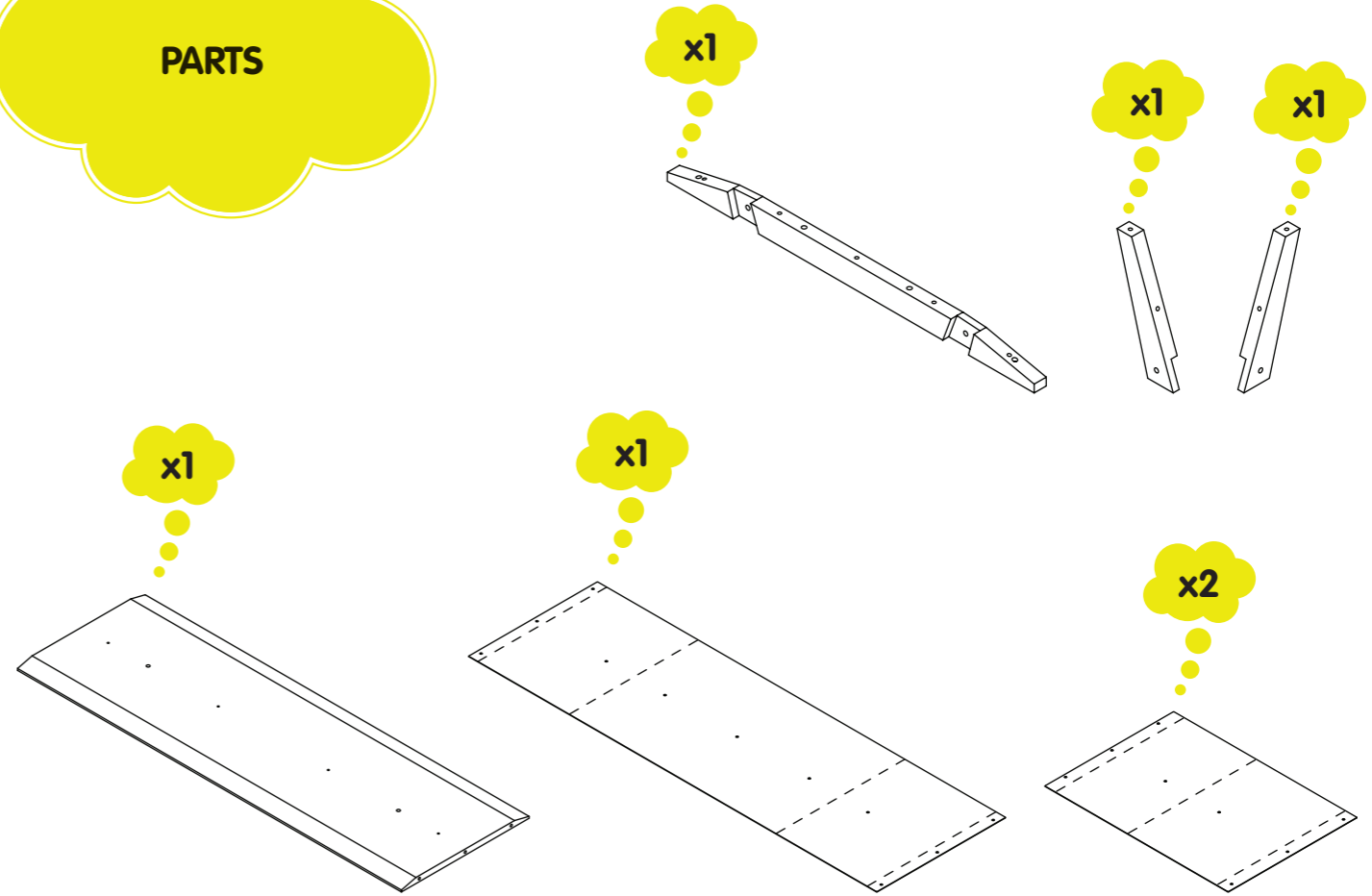


### CARE

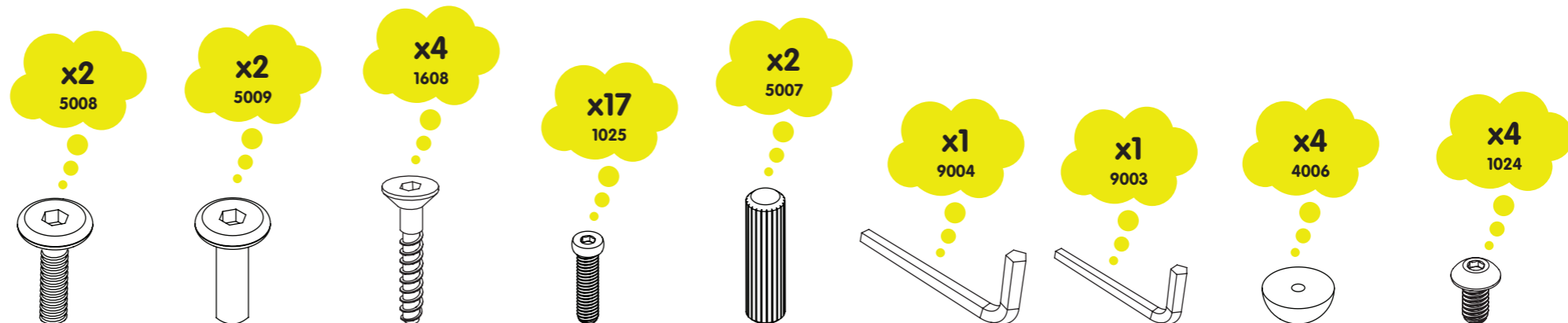
Clean powder-coated base with a soft cloth or sponge using a mild detergent, such as dish soap, and warm water. Wipe completely dry with a soft cloth.

Clean wood top with a slightly damp, soft cloth. To remove dirt and finger-prints, use a quality cleaner formulated for wood furniture. Wipe completely dry with a soft cloth in the direction of the wood grain.

## PARTS



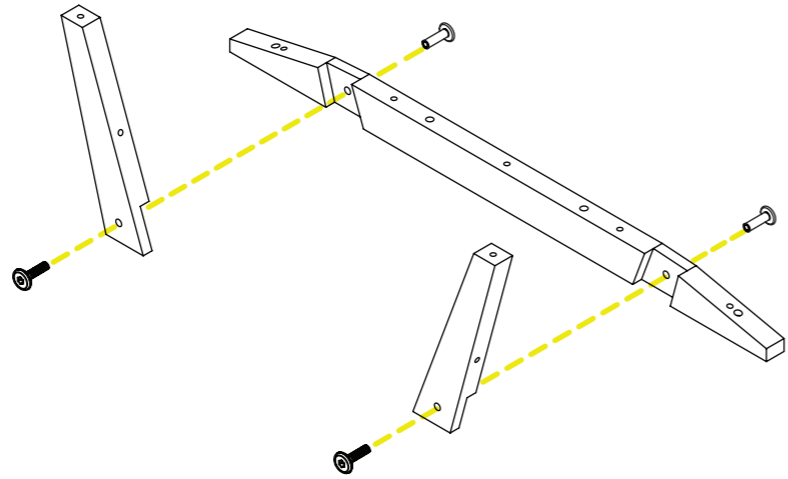
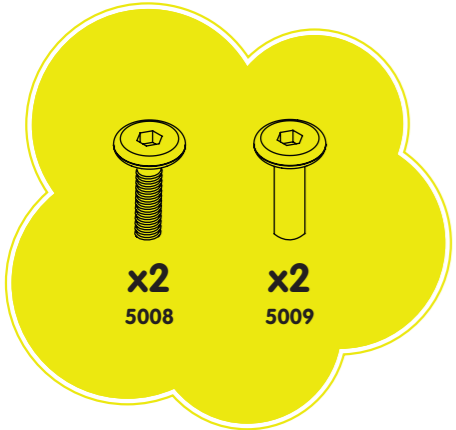
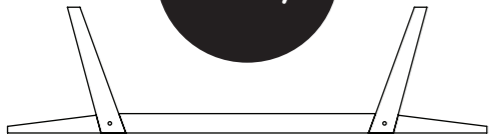
## HARDWARE



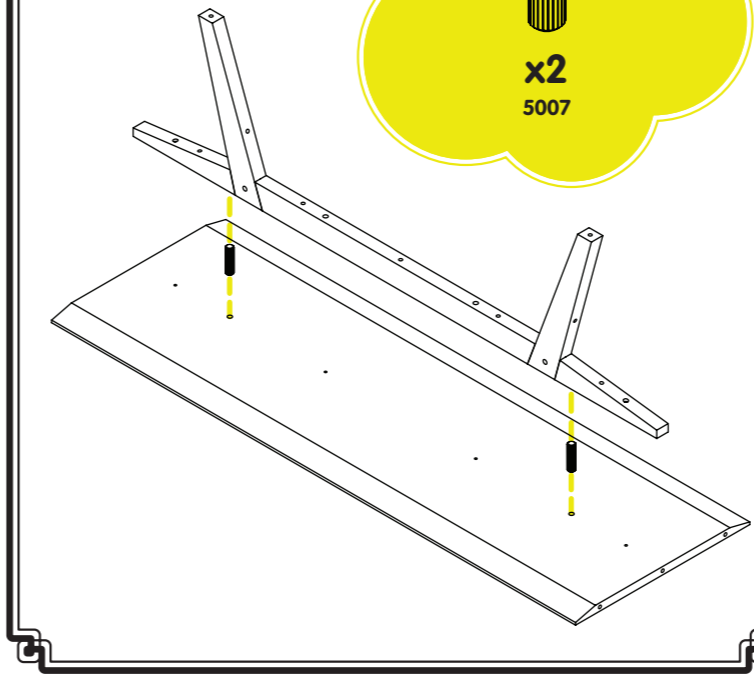
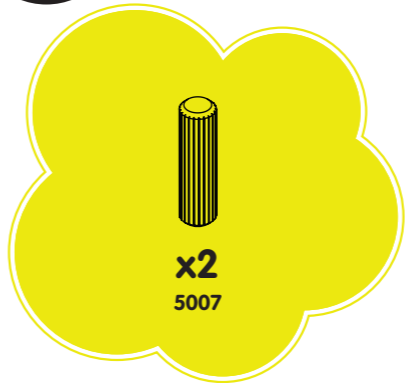
1

Assemble on carpet or protective mat.

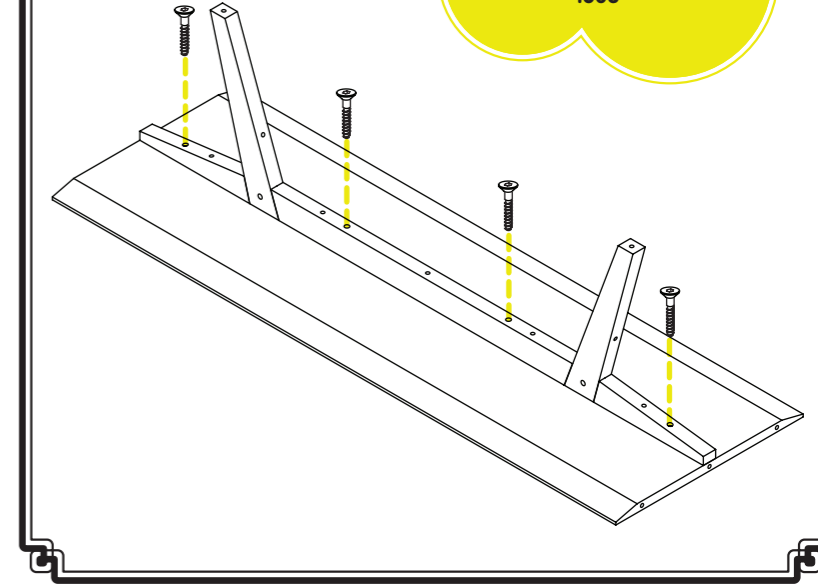
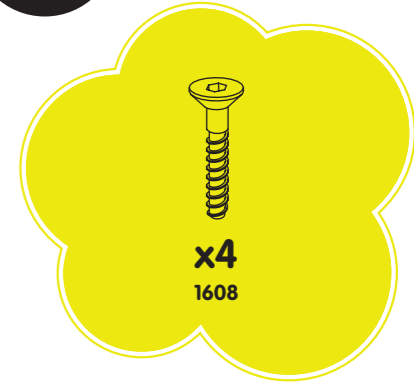
Orient this way.



2

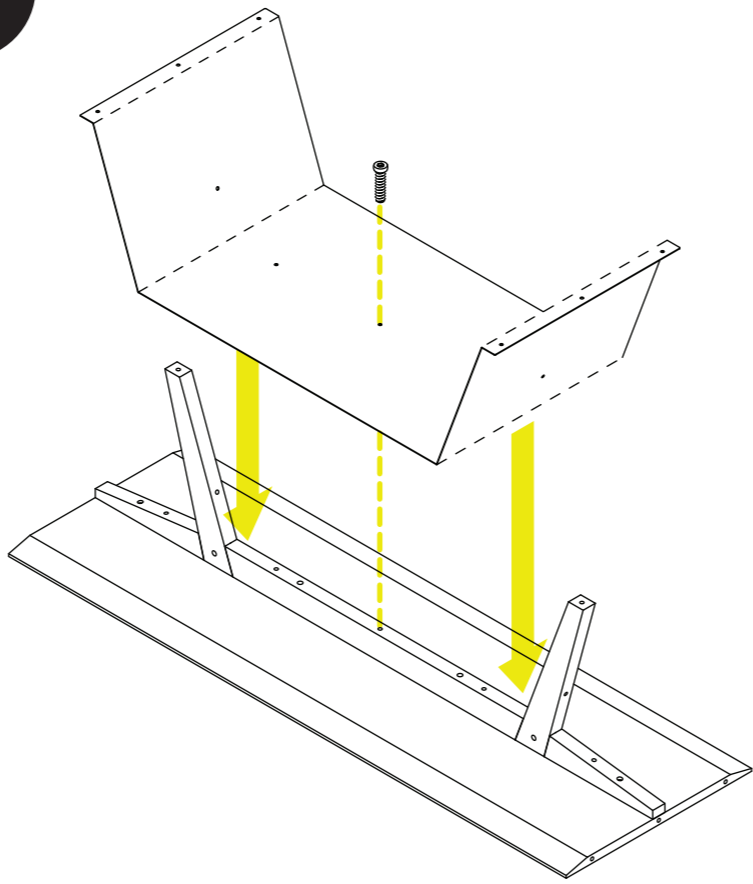
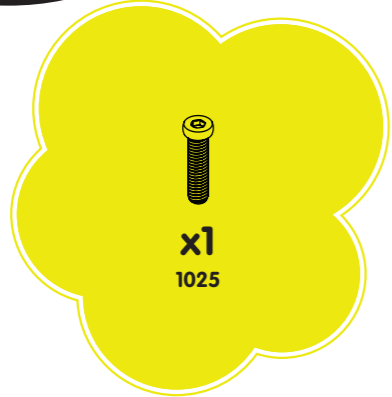


3



4

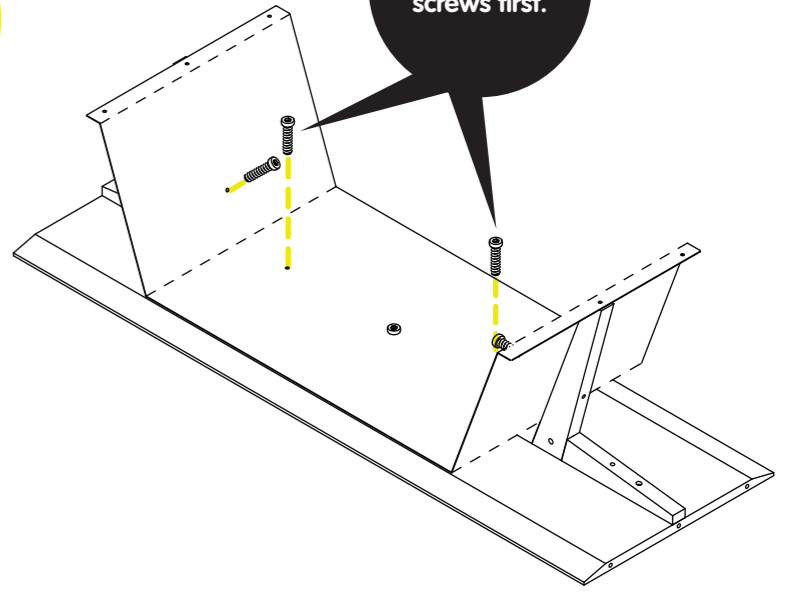
Take the center piece of the sheet metal, and gently "pre-bend" it along the perforations until it looks something like the picture. Lower it into place, and use the table as a form to match the final bend angles.



5



Fasten these screws first.

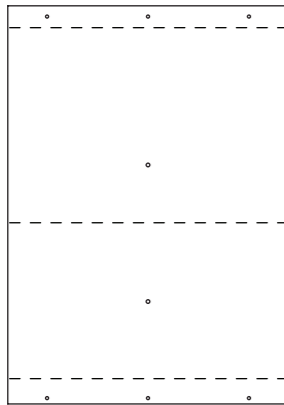


6

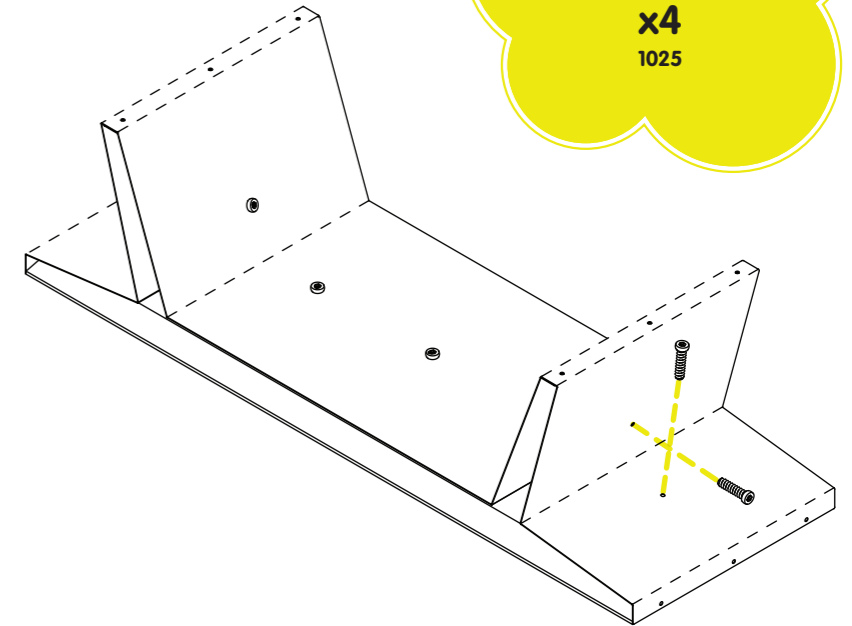
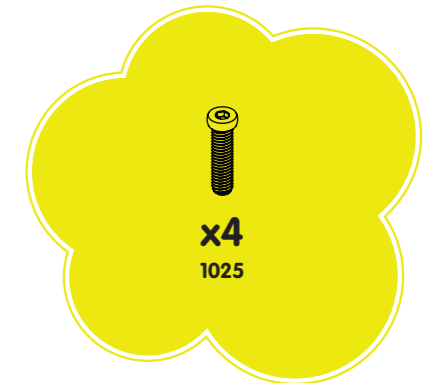
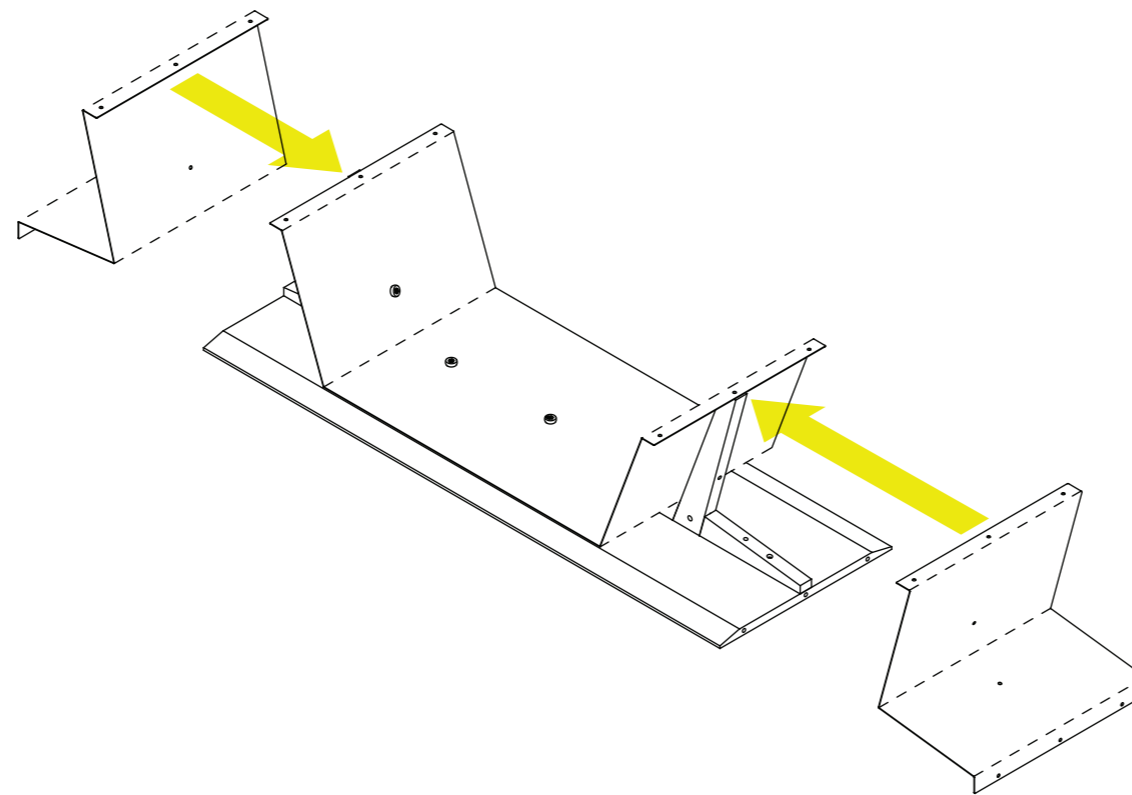
Orient side panels like this before bending.

Take the 2 side panels, and bend them until they look like what you see in image above, using the table to match the angles.

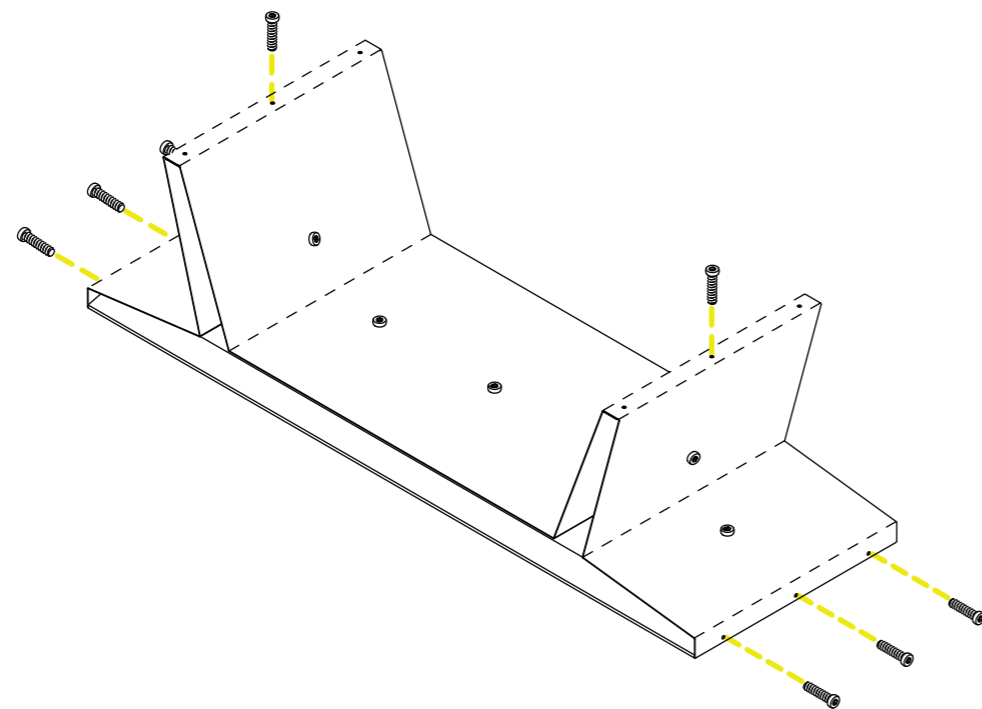
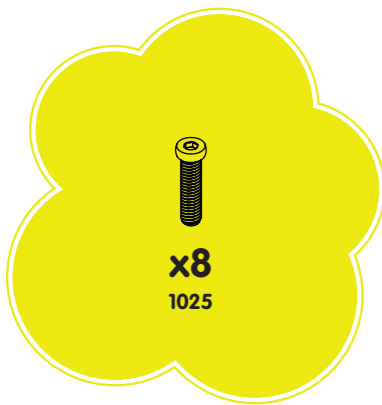
These holes join foot.



These holes join top.



7



8

