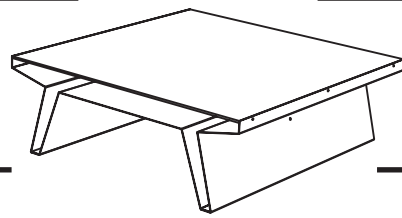
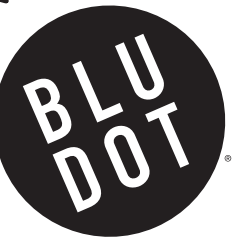
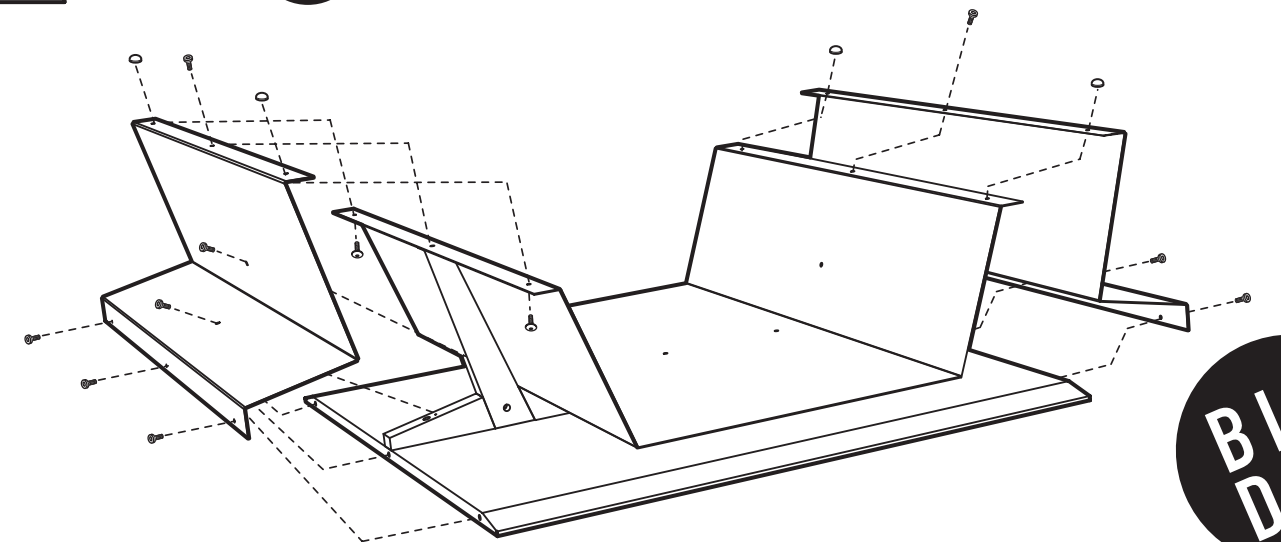
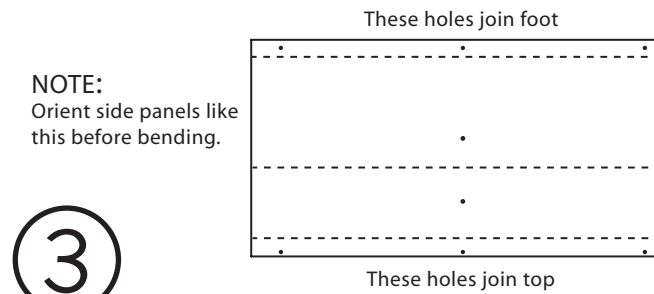
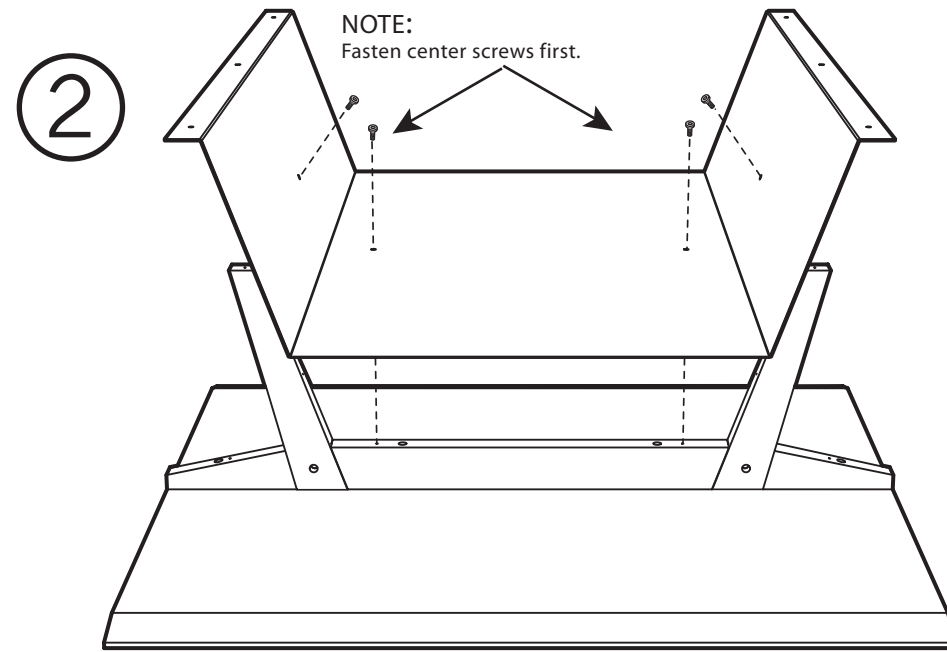
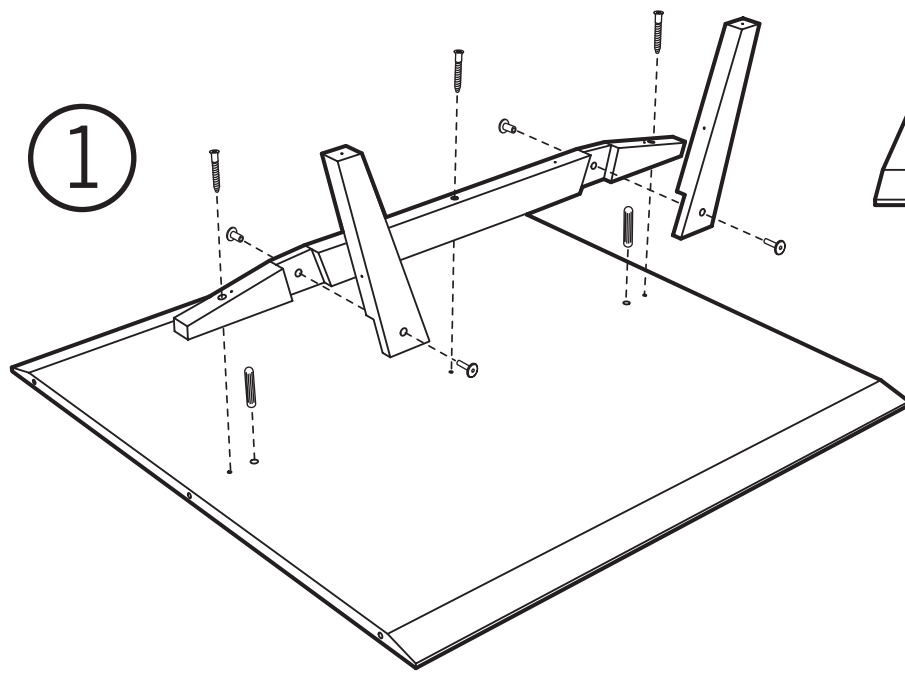


Assembly Notes



BARBARELLA SQUARE COFFEE TABLE



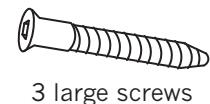
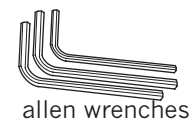
Assemble on carpet or protective mat.

- Take a moment to familiarize yourself with the furniture components and hardware before you start. Breathe deeply.
- When you're ready to begin, lay the top on the floor, with the bottom facing up. Next, referring to Figure 1, fit the legs (note the difference between the left and right leg) into the notches in the center beam, it will be a snug fit. Then, secure each joint with a connector bolt and nut, tightening them with the 2 larger allen wrenches.
Fit the 2 wooden dowels into the holes in the table top, and lower the leg assembly onto the dowels. Using a phillips screwdriver, screw the 3 large screws into the pre-drilled holes in the table top.
 - Now comes the fun part. Working from Figure 2, take the center piece of the sheet metal, and gently "pre-bend" it along the perforations until it looks something like the picture. Lower it into place, and use the table as a form to match the final bend angles.

- Using 4 of the small screws, attach the formed sheet metal part to the leg and beam assembly. Start with the screws at the center first, screwing them into the threaded holes in the legs and beam.
Now, take the 2 side panels, and bend them until they look like what you see in Figure 3, using the table to match the angles.
Using the small allen wrench, secure one side panel in place by screwing 3 small screws into the threaded inserts in the end of the table top. Continue fastening the panel in place using the small screws, being sure to screw into the pre-drilled holes in the leg and beam. Repeat the steps with the other side panel.
Install the feet using the small allen wrench and the 4 foot bolts. Flip the table over, and introduce your car keys to their new home.

REV 2 04.17.07

HARDWARE INVENTORY



BLU DOT DESIGN AND MANUFACTURING, INC. copyright 2007.
www.bludot.com / t. 612.782.1844 / f. 612.782.1845