

BLU  
DOT

# CHICAGO

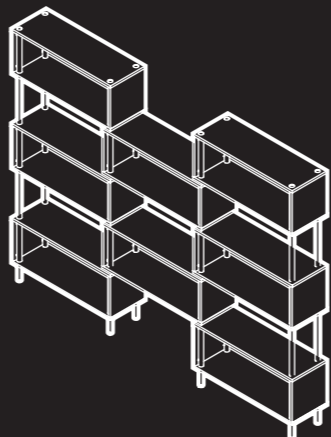
8 BOX

## ASSEMBLY NOTES

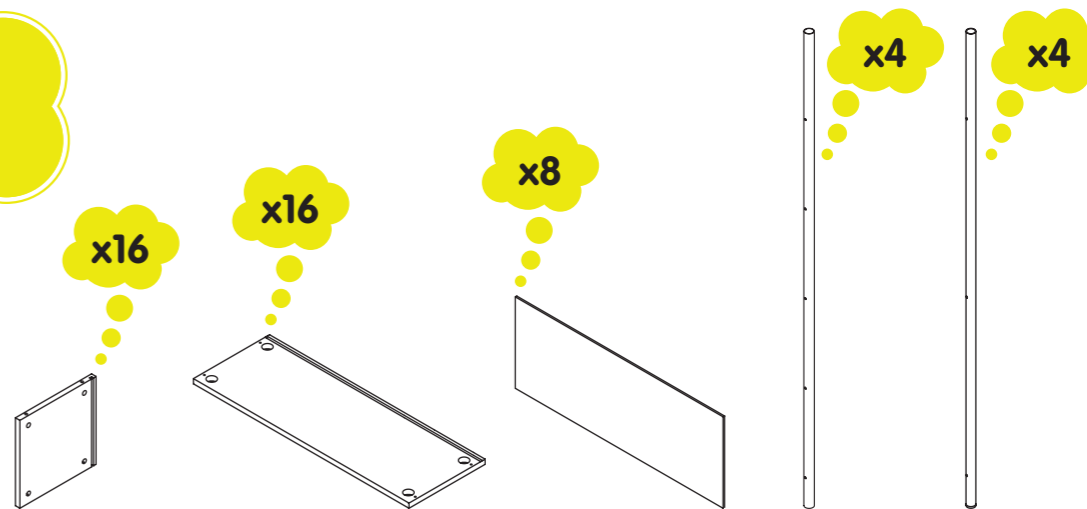
Clean with a slightly damp, soft cloth. To remove dirt and fingerprints, use a quality cleaner formulated for wood furniture. Wipe completely dry with a soft cloth in the direction of the wood grain.

CARE

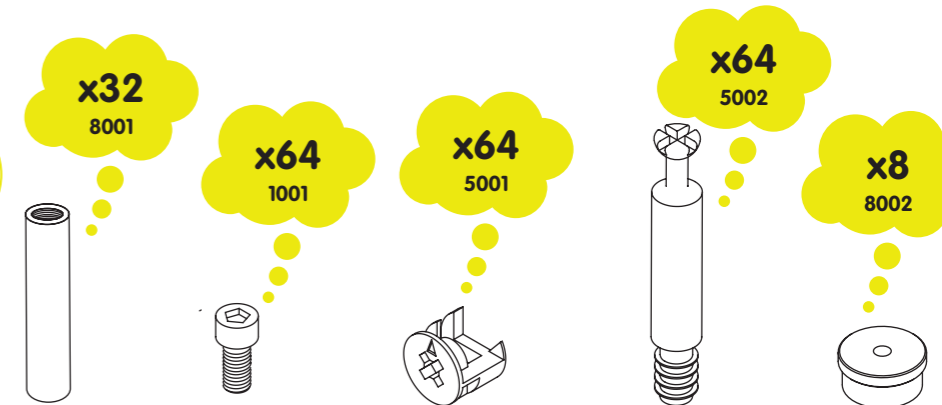
EASIER THAN  
ASTROPHYSICS



### PARTS



### HARDWARE

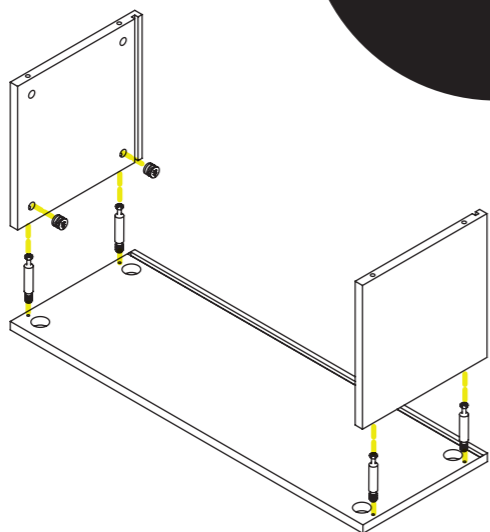


1 x8

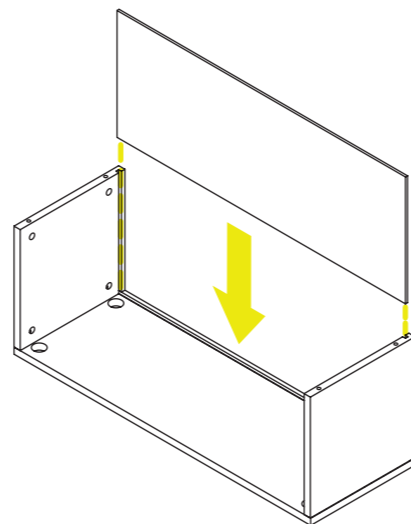
See Page 2:  
How To Use Cam  
Lock Hardware

Remember to use the  
buddy system: assembling  
Chicago takes two.

x32 x32  
5001 5002

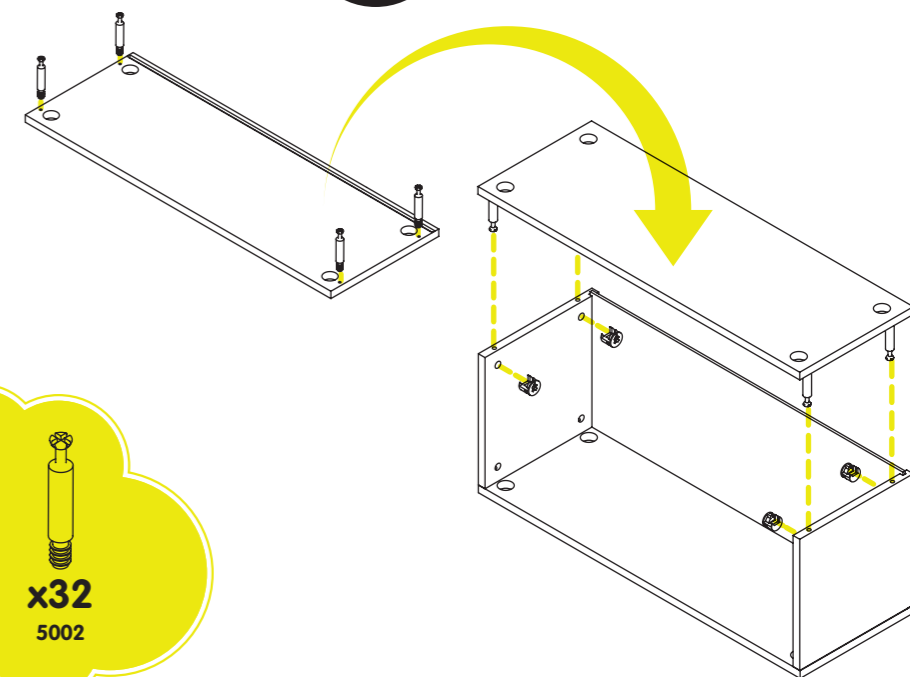


2 x8



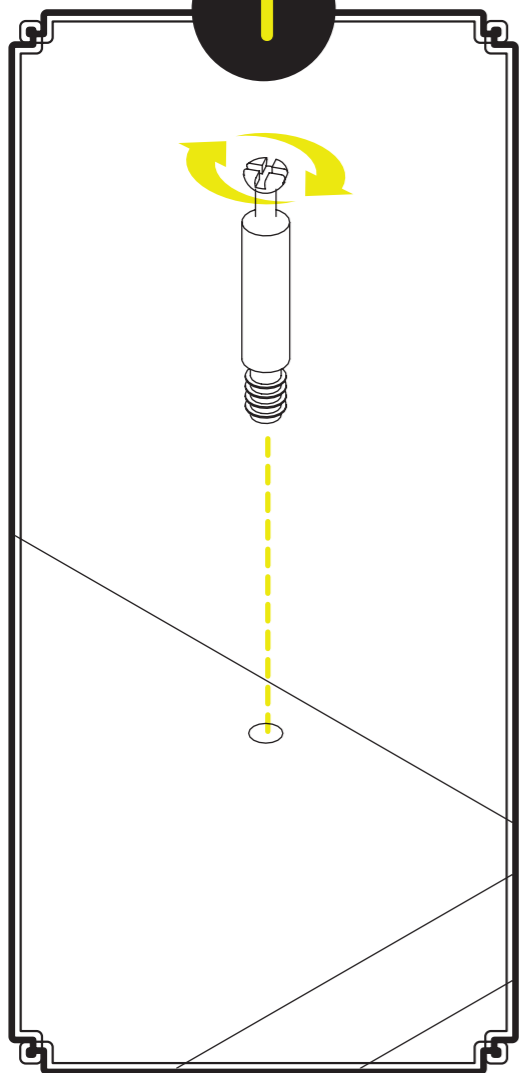
3 x8

x32 x32  
5001 5002

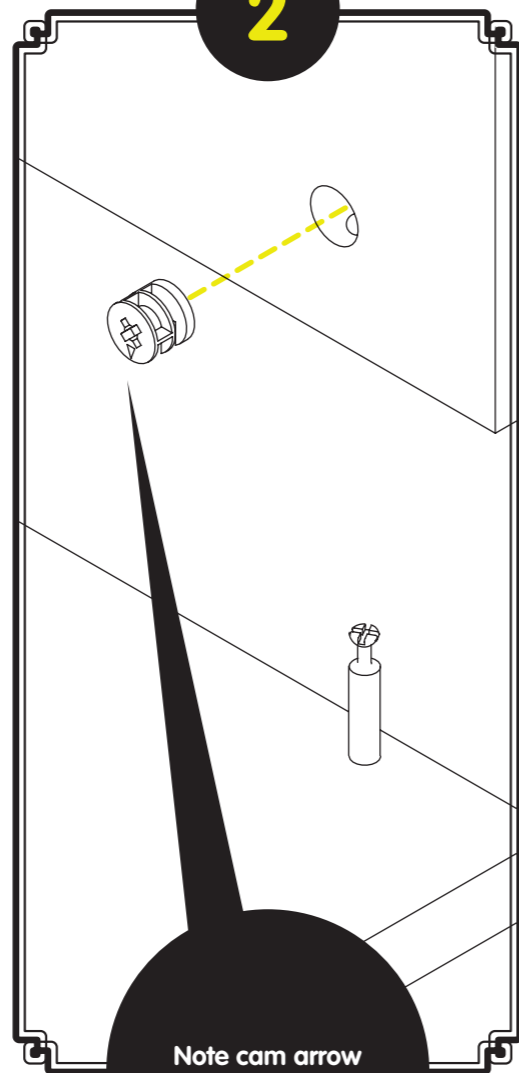


HOW TO USE CAM  
LOCK HARDWARE

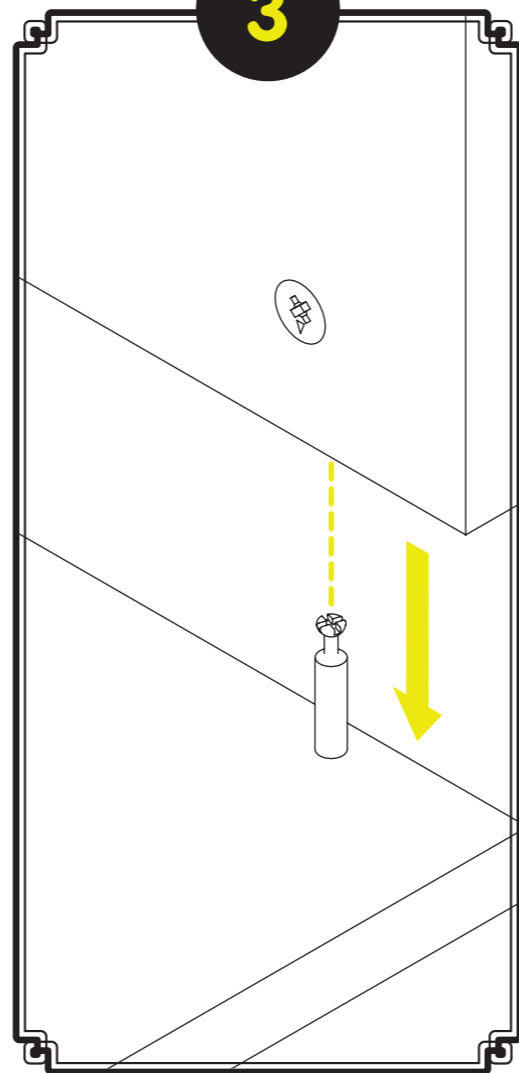
1



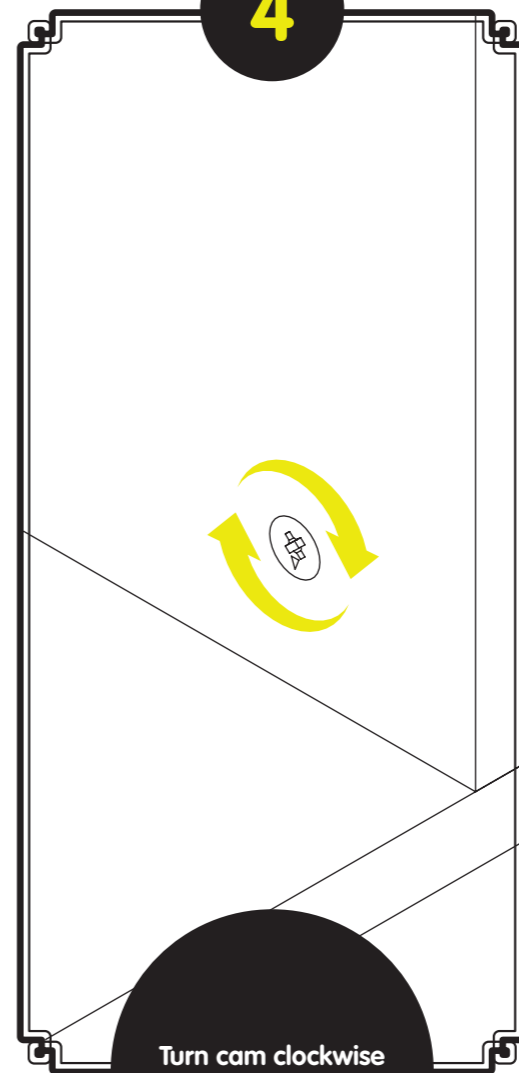
2



3



4



5

