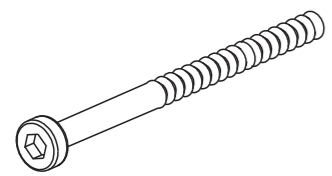


MASH

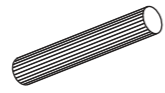
LAX SERIES / CF TABLE
ASSEMBLY INSTRUCTIONS



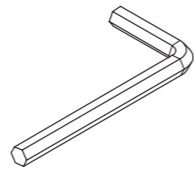
Ax6



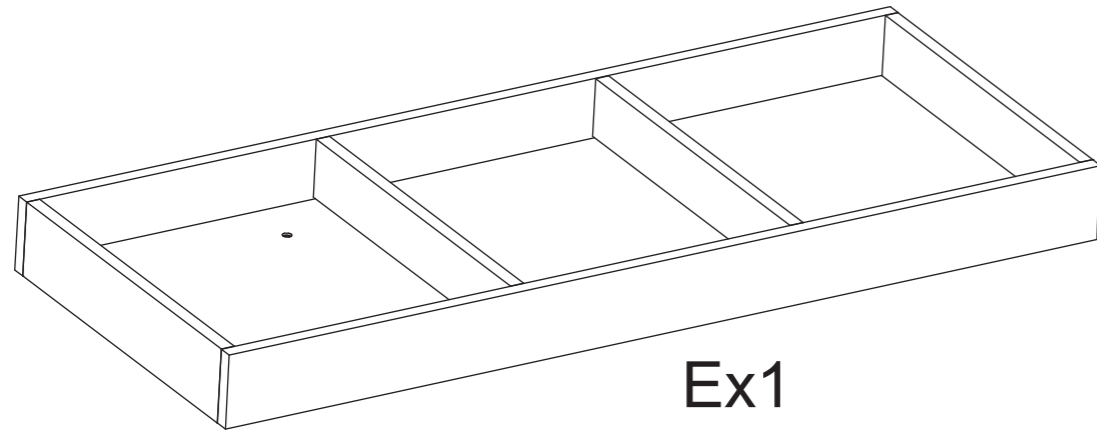
Bx6



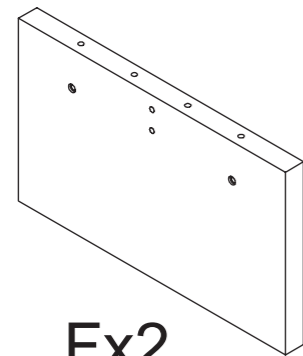
Cx2



Dx1



Ex1

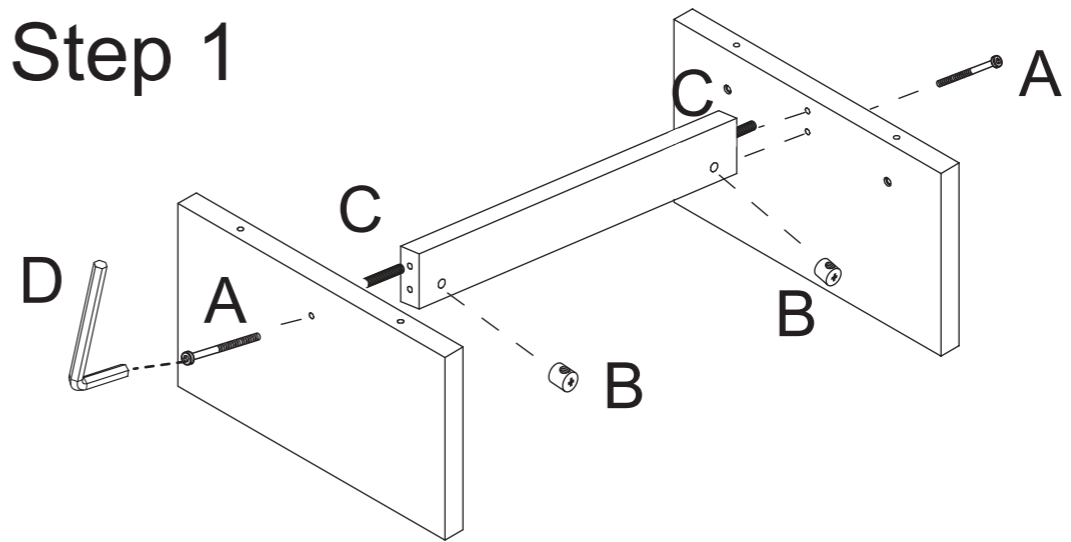


Fx2

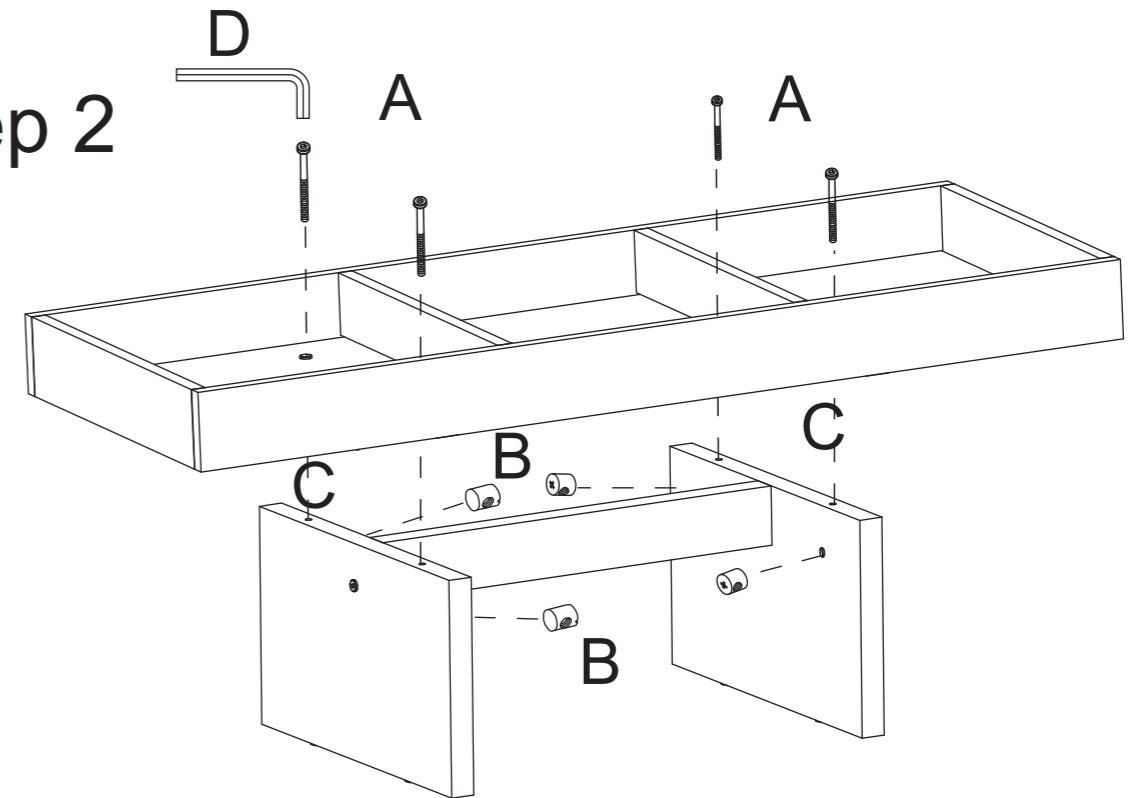


Gx1

Step 1



Step 2



Finished

