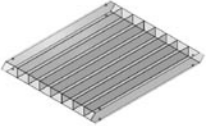





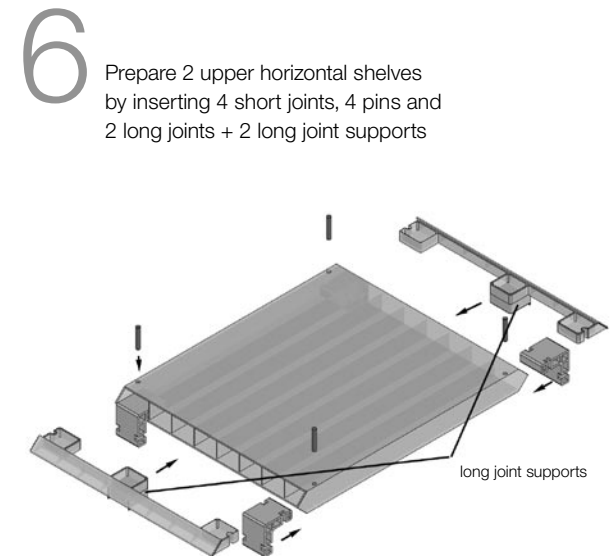
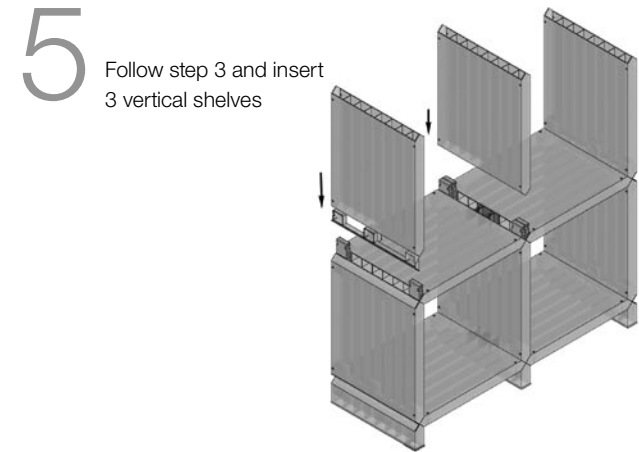
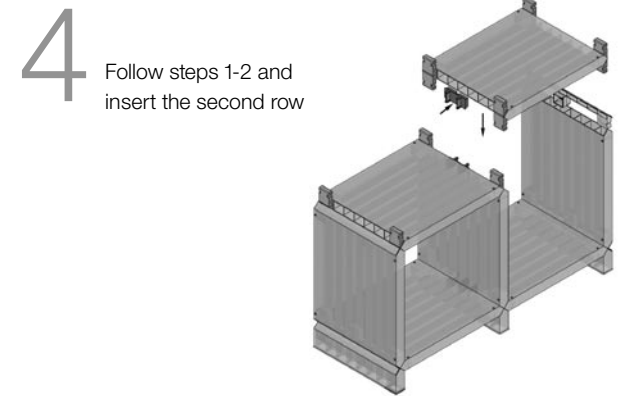
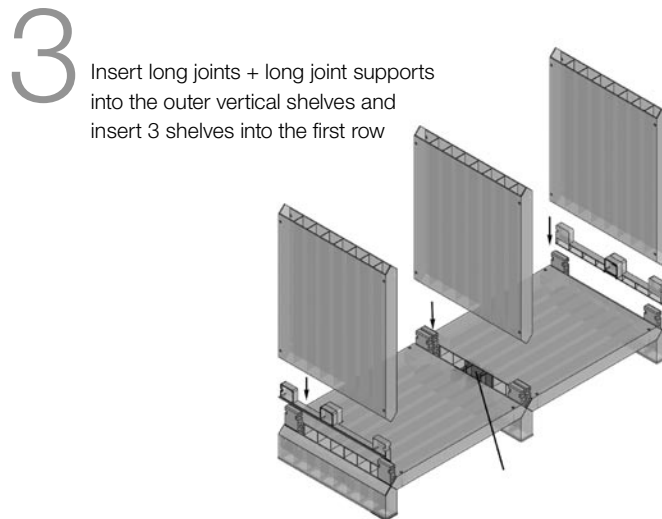
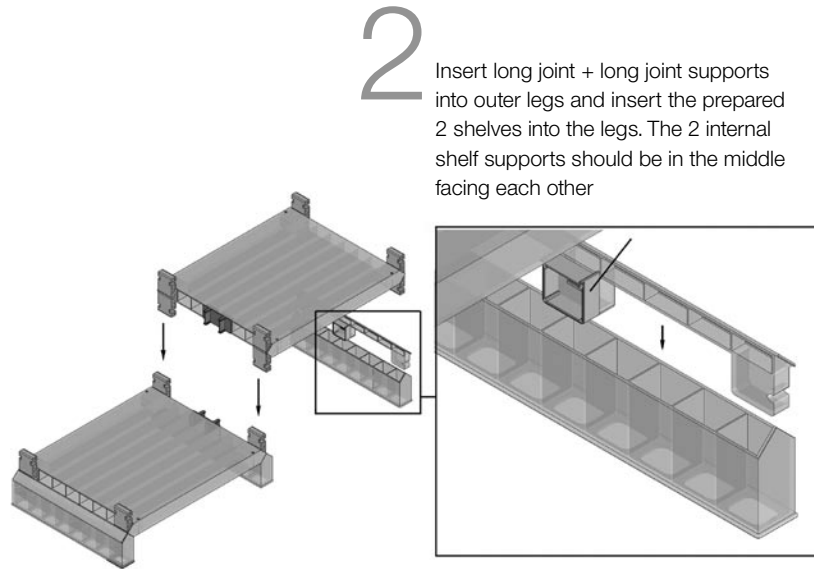
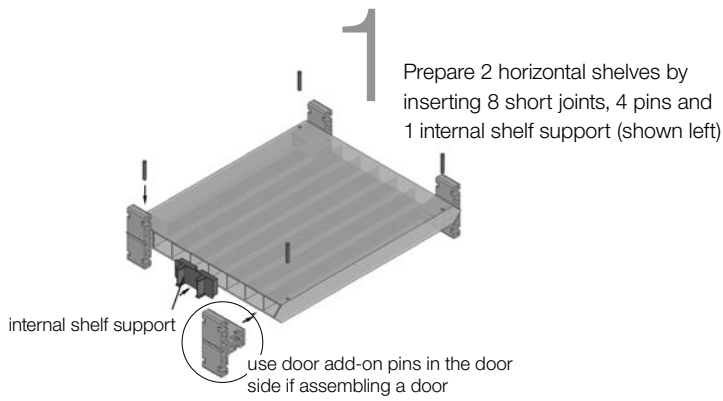


SmartCubes™

assembly instructions

COMPONENT LIST	
QTY 12	 SmartCubes shelves
QTY 48	 short joints
QTY 50	 pins
QTY 10	 internal shelf support
QTY 4	 SmartCubes feet
QTY 16	 long joints + 16 long joint supports



Please contact Smart Furniture
with any questions or concerns.
888 467 6278
www.smartfurniture.com

SmartCubes™ assembly (continued)

Please contact Smart Furniture
with any questions or concerns.
888 467 6278 www.smartfurniture.com

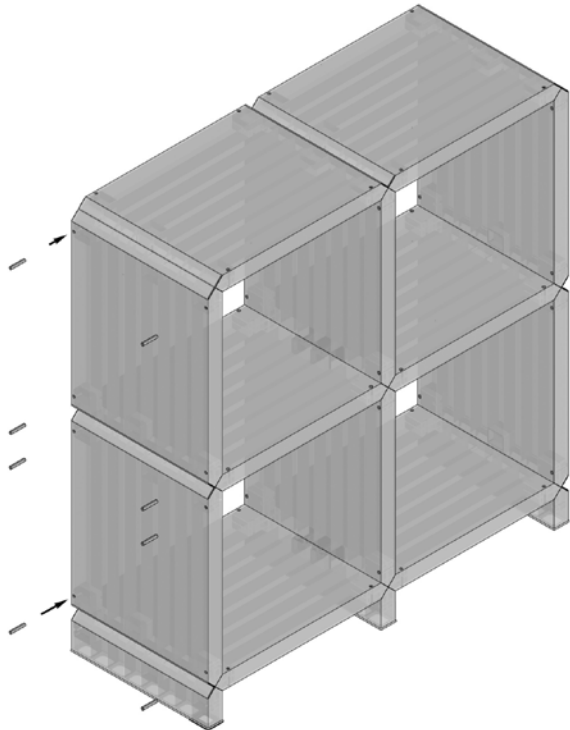


7

Insert 2 long joints into the
outer vertical shelf and insert
the 2 prepared upper shelves

8

Press the shelves down to their
final position and insert the locking
pins into the vertical
shelves. If a pin cannot be inserted
to its final
position insert it from the opposite side

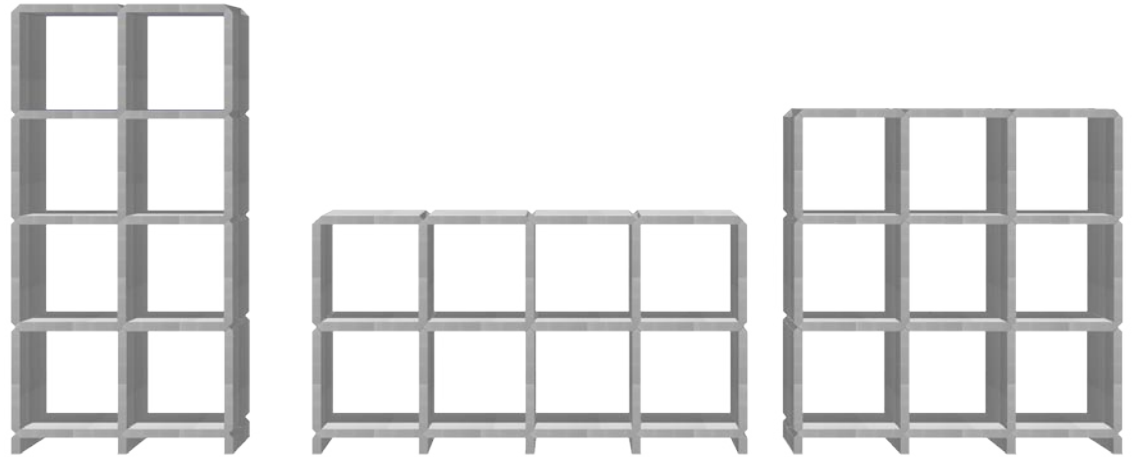


SMARTCUBE™ KIT OPTIONS

1 KIT



2 KITS



3 KITS

