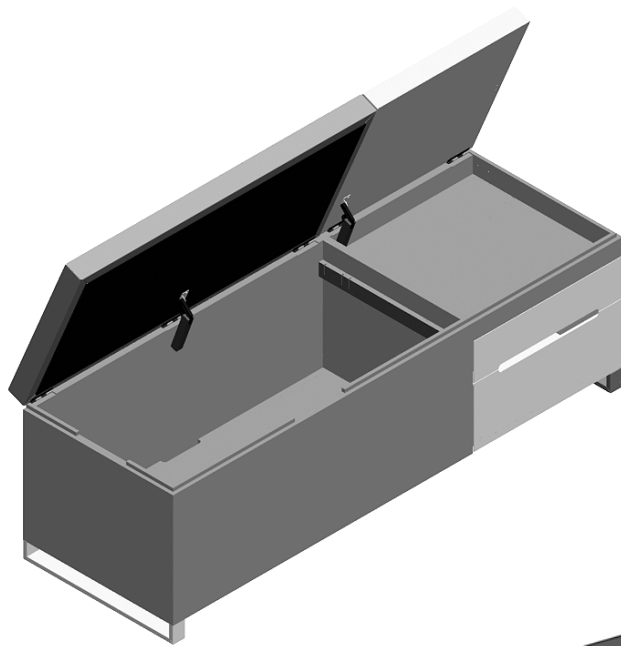
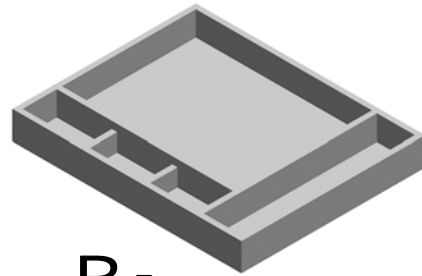


Lifework™ Portfolio Cognita™ Storage Bench Installation

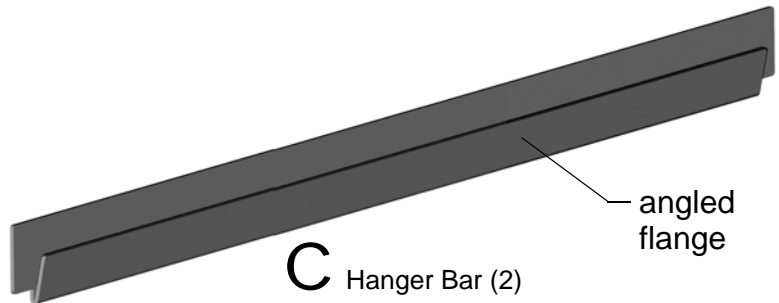
Parts Included:



A Bench Assembly

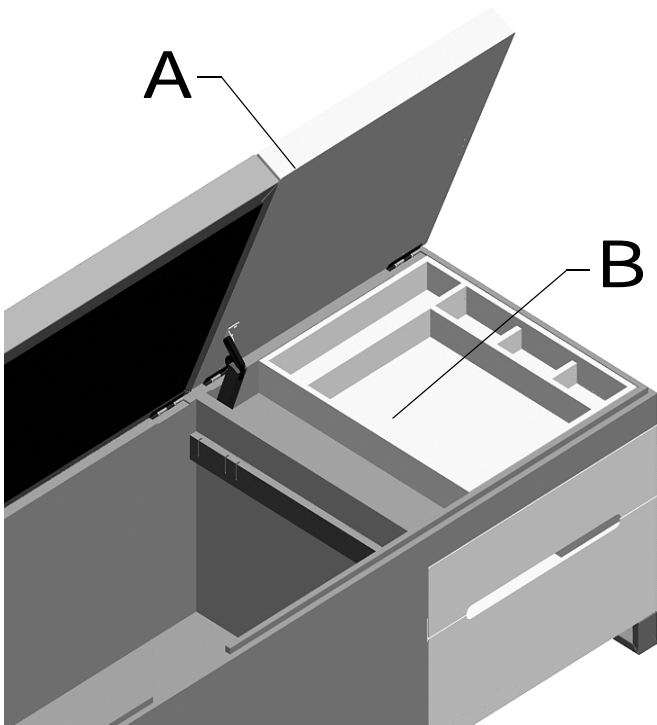


B Tray



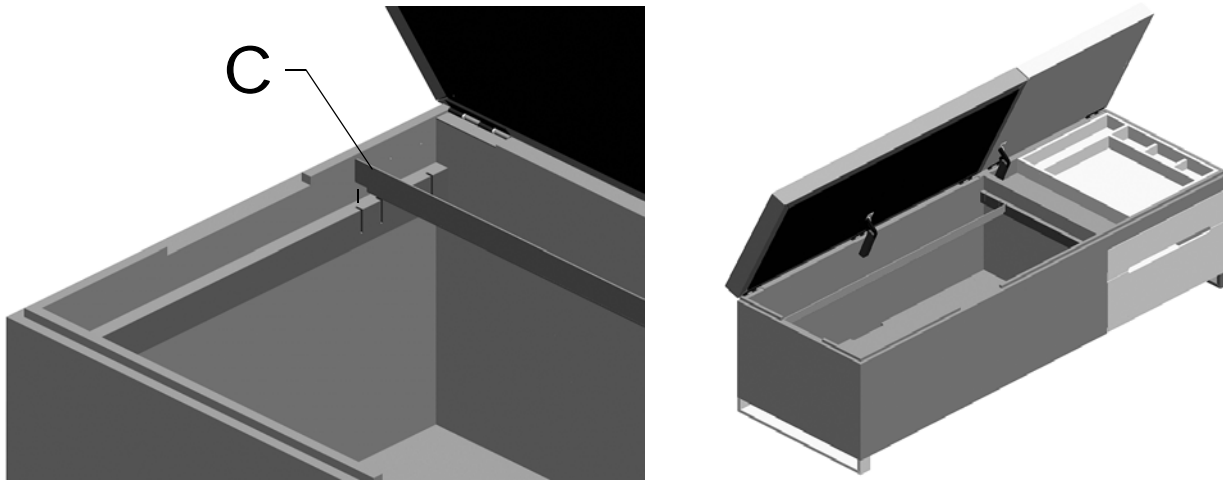
C Hanger Bar (2)

angled
flange



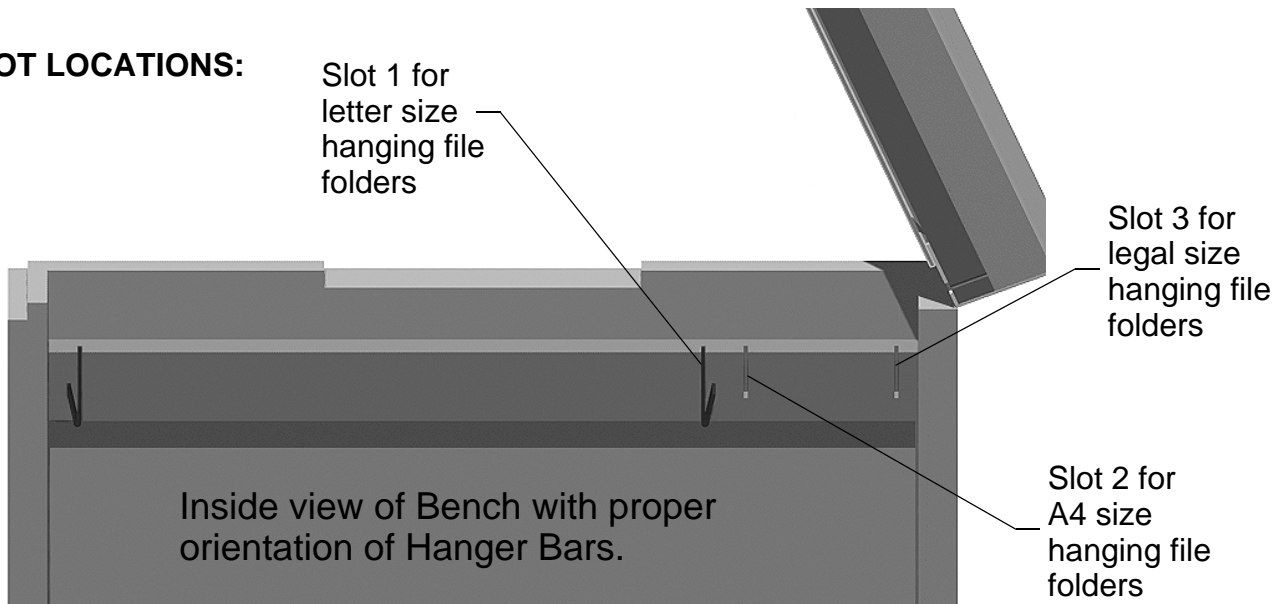
1. Place Tray (B) into Bench (A) as shown.

1B4BLM REV A



2. Install Hanger Bars (C). Lower Hanger Bar straight down into slot. Make sure angle flange on Hanger Bars point toward outside of Bench.
3. Repeat for additional hanger bar.

SLOT LOCATIONS:



4. Adjust Leveling Glides by rotating.

