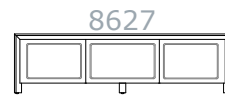
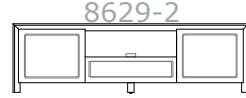


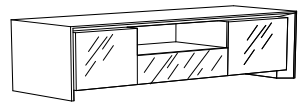
BDIUSA.COM



CUSTOMERSERVICE@BDIUSA.COM



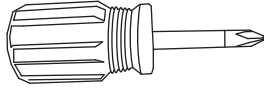
Component List



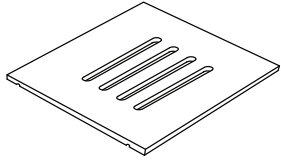
A - Assembled Cabinet
x 1



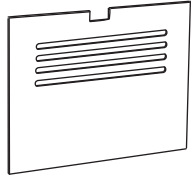
B - Flat Wrench
x 1



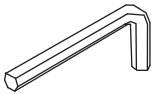
C - Phillips Screwdriver
x 1



D - Adjustable Shelf
Model 8627 x 3
Model 8629-2 x 2
Model 2823 x 3



E - Back Panel x 2



F - Allen Wrench x 1

Your Casata Home Theater Furniture is engineered for easy assembly. Carefully follow this procedure to prevent any damage.

NOTE: This instruction sheet is intended for the entire Casata collection; model 8629 is shown for illustration.

Placement and Maintenance

Casata Home Theater Furniture is designed for indoor use on level floors. Clean glass with glass cleaner, and steel parts and wood veneer with a moist cloth.

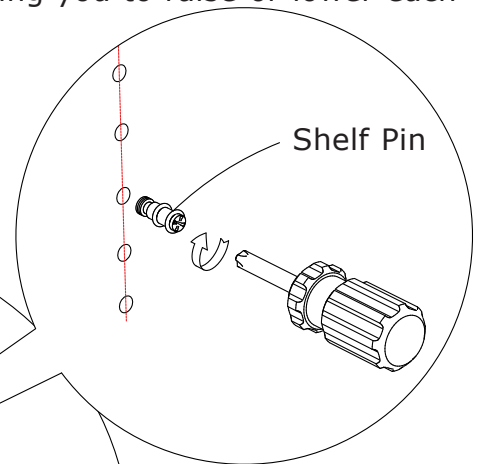
Step 1

Unpack and identify the parts listed above. The assembly workspace should be a non-marring surface such as carpet. For missing hardware pieces, please contact BDI Customer Service at customerservice@bdiusa.com. For all other concerns, please contact your BDI Retailer.

Step 2

Leveling and Shelf Adjustment

The shelf pins located inside the left and right cabinet space may be repositioned, allowing you to raise or lower each shelf to the desired level.



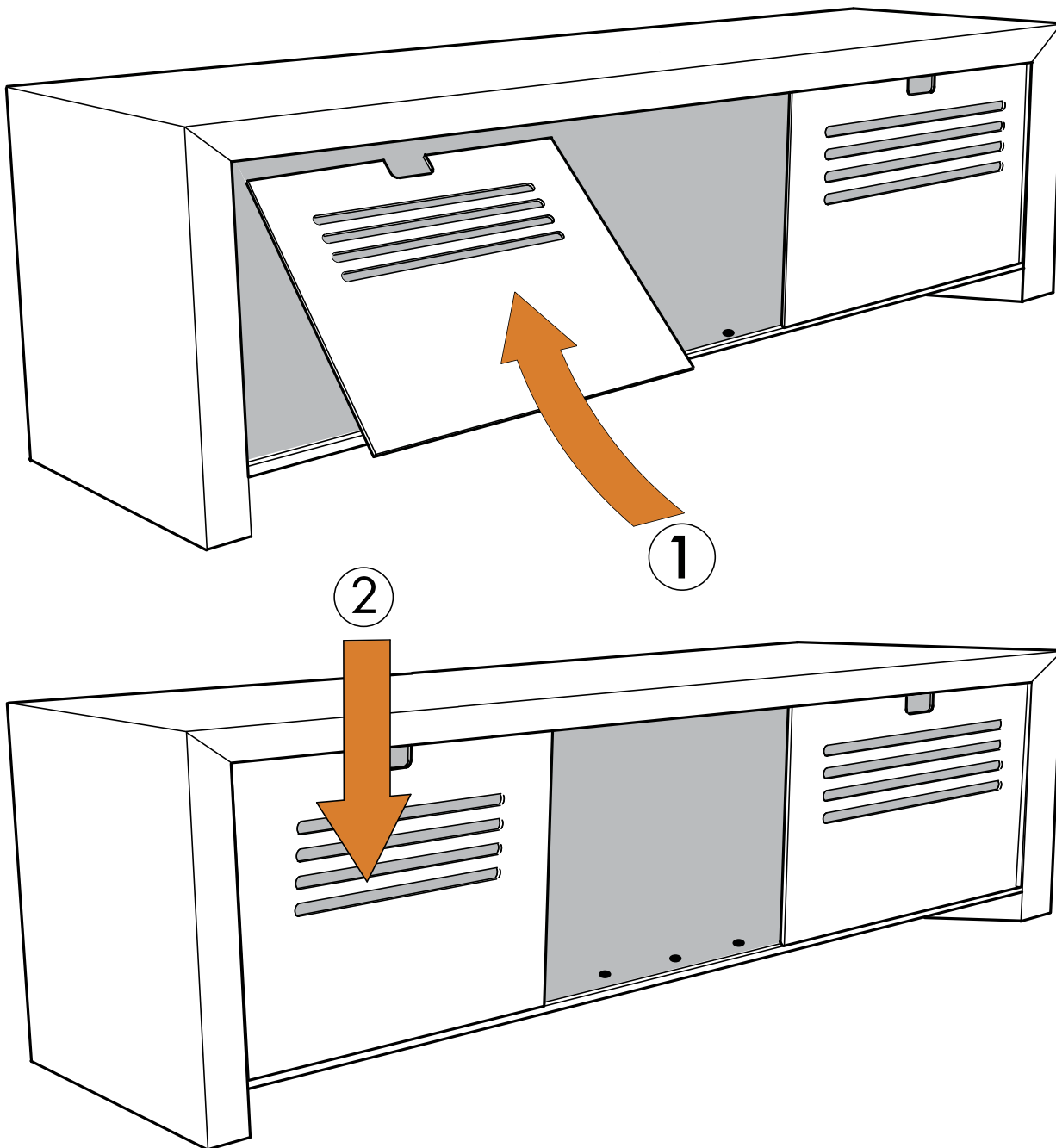
Leveler glides are accessible near the bottom of the side panels using the **Flat Wrench (B)**.

For more information about the adjustable levelers and troubleshooting assembly, be sure to check out "Fine tuning your new BDI Casata Home Theater Furniture" at the end of these instructions.

Step 3 Back Panel Installation

Install **Back Panel (E)** to the rear side of cabinet.

Velcro straps are included as wire management for your convenience.



Optional Flat Panel TV Mount

Model 8629-2 is compatible with **BDI's Flat-Panel TV Mount #9970** (sold separately), with the following features:

- attaches easily to the back of the cabinet
- accommodates most TVs up to 60", 180 lbs
- swivel allows for rotating for optimal viewing
- allows adjustable TV mounting height
- accepts and route cables to and from the TV

For more information, visit www.bdiusa.com

Fine-tuning your Casata Home Theater Cabinet

Due to jostling in freight or perhaps an uneven floor, the doors and drawer (if equipped) on your Casata stand may not appear to be in perfect alignment when first set up. Making a few minor adjustments can rectify this situation. Be aware that depending on your situation, patience and a bit of trial and error may be required. The high-quality European hinges are highly adjustable, and changing one element can cause the need for further adjustments. Through a few simple adjustments, you can modify the orientation of the cabinet doors to ensure that they are hanging evenly.

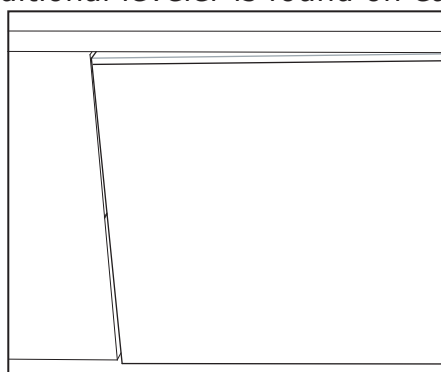
STEP 1 - Level your cabinet (if needed)

After unpacking and assembling your Casata cabinet, inspect it visually to ensure that it is resting level on the floor, that all doors appear level and open/close freely without rubbing or binding. Proper adjustment of the cabinet's levelers quickly corrects most leveling/alignment issues.

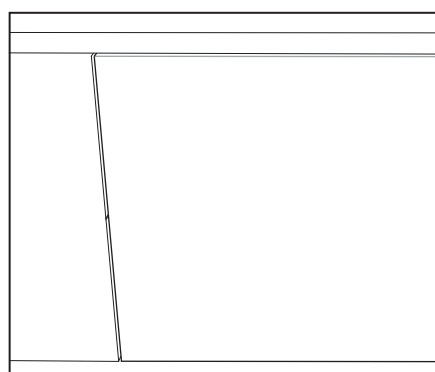
Models 8627 & 8629 only: There are five (5) adjustable levelers on the bottom of these cabinets; each may be individually adjusted depending on your leveling scenario. Turning the leveler clockwise will extend the leveler; turning it counter-clockwise will retract it.

Four (4) of the levelers are accessible near the bottom of the side panels and are adjustable using the provided **Flat Wrench (B)**. One (1) leveler is accessible from inside the cabinet---in the center of the bottom panel (Model 8627), or at the rear of the bottom panel (Model 8629)---and is adjustable using the provided **Allen Wrench (F)**.

Model 2823 only: There are six (6) adjustable levelers on the bottom of this cabinet; each may be individually adjusted depending on your leveling scenario. Turning the leveler clockwise with the provided **Flat Wrench (B)** will extend the leveler; turning it counter-clockwise will retract it. Four (4) of the levelers are accessible near the bottom of the side panels, near front and back. An additional leveler is found on each center leg.



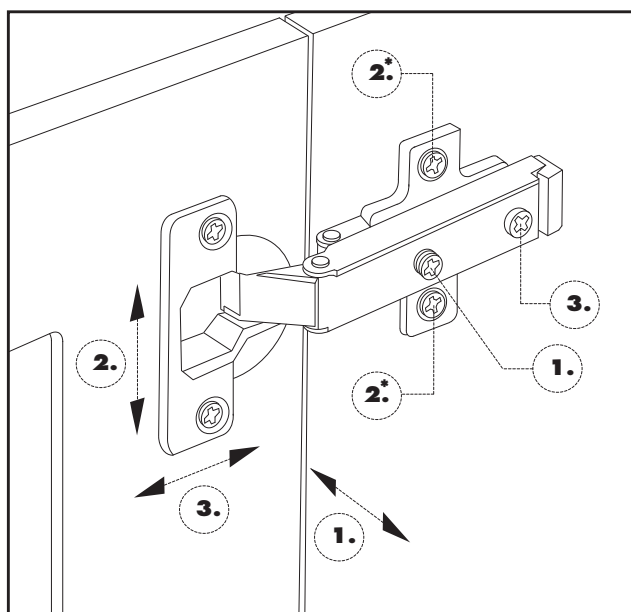
INCORRECT! Door is out of alignment.



CORRECT! Door is sitting squarely and is evenly spaced at top and sides.

STEP 2 - Adjust Door Hinges (if needed)

The doors on your cabinet should be evenly spaced and the doors should open and close freely without rubbing against the door frame.



If the cabinet's doors appear out of alignment, this condition can be corrected with minor adjustment to the European hinges on each door.

Because these hinges are infinitely adjustable, adjusting one hinge element can sometimes cause the need for adjustments to other elements. But with a few adjustments, you can modify the orientation of the cabinet doors to make sure that they hang perfectly within your cabinet.

Use a Phillips screwdriver to adjust the door hinges:

- By adjusting **Screw 1**, the door will move LEFT or RIGHT within the frame. Make minor adjustments at both top and bottom hinges for best results.
- By adjusting **Screw(s) 2**, the door will move UP or DOWN within the frame (the top and bottom hinges must be adjusted the same degree).
- By adjusting **Screw 3** the entire door will move IN or OUT, opening or closing the gap between the door frame and cabinet (This screw rarely needs adjustment).